

# Filter bank transceiver design for ultra wideband

Christian Ibars, Mònica Navarro, Carles Fernández-Prades,  
Xavier Artiga, Ana Moragrega and Ciprian George-Gavrincea  
*Centre Tecnològic de Telecomunicacions de Catalunya - CTTC*  
*Spain*

Antonio Mollfulleda  
*Gigle Networks*  
*Spain*

Montse Nájjar  
*Universitat Politècnica de Catalunya*  
*Spain*

## 1. Introduction

Ultra Wideband (UWB) communications are steadily gaining acceptance worldwide, as the regulatory bodies of several countries define its frequency bands and rules of operation. Out of the many technologies available to generate an UWB signal, two of them have been favored, in recent standardization activities, namely Orthogonal Frequency Division Multiplexing (OFDM) and Impulse Radio (IR). On one hand the IEEE 802.15.3a standard defines an UWB signal based on OFDM, which consists of a large number of digitally-generated narrow sub-carriers. On the other hand, the IEEE 802.15.4a standard defines an UWB signal based on pulses of short duration, technology known as IR. In addition to these technologies included in standards, other modulation schemes have been proposed for UWB, such as frequency-modulated UWB, or IR transmitting even shorter, sub-nanosecond pulses. The latter has the advantage of providing very accurate ranging and localization estimates based on the time of arrival, which can be measured with high precision thanks to the large signal bandwidth.

In this chapter we will address the challenges encountered in the transmission and detection of an Impulse Radio Ultra Wideband (IR-UWB) signal in environments with multipath propagation. The main problem in such systems is that multipath produces time dispersion resulting in a very large number of resolvable paths at the receiver. We will argue that it is considerably difficult to design receivers that have both high efficiency in capturing the received signal energy and low complexity. The traditional approaches, such as correlating the received signal with a local template, or the RAKE Receiver, suffer from poor performance since they have to lock to a single propagation path, or a small subset of them, respectively. Non-coherent receivers also fail to deliver the full potential of UWB; in particular, they do not provide sufficient ranging accuracy.

Motivated by this challenge, in this chapter we develop a receiver architecture based on a frequency domain filter bank. The receiver consists mainly of a stage of bandpass filters fol-

lowed by intermediate speed analog-to-digital converters (ADCs) that sample each subband at Nyquist rate. This architecture presents two important advantages: it allows a flexible design where the number of branches and the ADC speed can be selected depending on the desired performance; and it can potentially capture all the received signal energy regardless of the severity of multipath propagation. We analyze the Filter Bank Receiver by first developing the underlying theory of time-frequency signal representations, and then deriving its performance in terms of mean square error (MSE) and bit error rate (BER), comparing it to other receiver types.

Another important performance aspect of UWB receivers is their capability to provide accurate time of arrival estimates, and thus accurate ranging and localization. We address this aspect by first analyzing synchronization schemes for UWB and then presenting a time of arrival algorithm in the frequency domain, suitable for the filter bank receiver architecture. Subsequently, we describe algorithms for ranging and localization based on time of arrival.

The last part of this chapter is devoted to describing a real implementation of the filter bank receiver. The architecture consists of an UWB RF front end followed by a digital back end which processes the received samples and implements the signal detection and time of arrival estimation algorithms. Wideband RF design is tackled using wideband low noise amplifiers (LNAs) and downconversion stages to provide lowpass signals to the ADC stage. Gaussian bandpass filters are used, which have very good time and frequency concentration properties. The digital section is implemented with a hybrid architecture consisting of a programmable logic device (PLD) to handle the high aggregate sampling rate, and a digital signal processor (DSP) to implement signal processing algorithms in a flexible and easily re-programmable fashion.

## 2. Ultra Wideband Signals and Channel

In impulse radio technology, the transmitted signal consists of a series of low energy, wide bandwidth pulses  $p(t)$ , with a duration in the order of hundreds of picoseconds. Transmitted pulses are typically shaped so that their power spectrum  $|P(f)|^2$  satisfies the power spectral density (PSD) constraints set by regulatory bodies (*Generic Harmonized European Standard for UWB Communications (ETSI EN 302 065)*, 2008; *Revision of part 15 of the Commission's Rules Regarding Ultra-Wideband Transmission Systems*, 2002). Several pulses are sent for each transmission symbol in order to achieve the necessary energy per bit. At the transmitter, bits are grouped in data symbols and transmitted at symbol rate  $R_s = 1/T_s$  where  $T_s$  is the symbol period. Each symbol interval is divided in  $N_f$  equally sized intervals of length  $T_f$ , known as frame intervals. In turn, each frame interval is divided in  $N_c$  equally spaced time intervals of length  $T_c$  known as chip intervals. In each frame interval only one pulse is transmitted, which is located in one of the  $N_c$  chip intervals. In case that Pulse Position Modulation of order  $M$  (M-PPM) is used, each chip interval is further divided in  $M$  modulation intervals of length  $T_\Delta$ <sup>1</sup>. Typically, time hopping (TH) or direct sequence (DS) spreading is used to determine the pulse position and polarity, respectively, in each frame interval, with the purpose of satisfying the PSD mask. A general expression for a waveform carrying a block of  $N_b$  consecutive

<sup>1</sup> Although we define here the division in modulation intervals within the chip interval, it may take place at higher levels. For example, the symbol period may be divided into  $M$  modulation intervals and subsequently divided in frame and chip intervals, as in the IEEE 802.15.4a Standard.

symbols can be written as

$$s(t) = \sum_{l=0}^{N_b} \sum_{h=0}^{N_l-1} c_{h,l}^{DS} a_l p(t - lT_s - b_l T_\Delta - c_{h,l}^{TH} T_c - hT_f) \tag{1}$$

where  $c_{h,l}^{DS} \in \{-1, 1\}$  is the DS code chip amplitude for the  $h$ -th frame of the  $l$ -th symbol,  $c_{h,l}^{TH} \in \{0, \dots, N_c - 1\}$  selects the chip interval of the  $h$ -th frame of the  $l$ -th symbol,  $a_l$  is the amplitude of the  $l$ -th symbol and  $b_l$  is the time position of the  $l$ -th symbol. An example of the resulting transmitted signal is shown in Fig. 1.

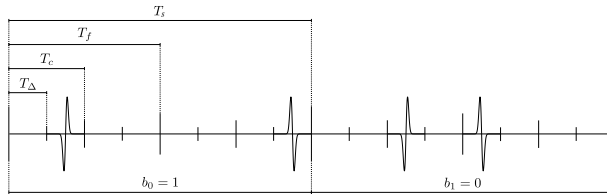


Fig. 1. Example of IR-UWB signal with TH and DS codes.  $N_b = 2, N_s = 2, N_c = 2$ , BPSK. Bit sequence  $\{b_0 = 0, b_1 = 1\}$ . TH Code sequence  $\{0, 1, 1, 0\}$ . DS Code sequence  $\{1, -1, 1, -1\}$ .

In order to fully understand the design principles of IR-UWB receivers, it is important to understand the channel propagation effects on the transmitted signal. In order to develop a common channel model, the IEEE 802.15.4a Standards Group considered several possibilities and established a modification of the traditional Saleh-Valenzuela model (Saleh & Valenzuela, 1987) as a statistical channel model for UWB. According to this model, signal paths are grouped into clusters, containing several rays with different gains ( $\beta_{q,r}$ ) and propagation delay ( $\tau_{q,r}$ ) where  $q$  and  $r$  are cluster index and path index inside each cluster respectively. The resulting baseband channel model is given by

$$h(t) = \sum_q \sum_r \beta_{q,r} \delta(t - \tau_r) \tag{2}$$

The UWB channel has been characterized in IEEE 802.15.4a (Molisch et al., 2004), where several types of channels are described. Among other environments, channel types 3 and 4 model an indoor environment in line of sight (LOS) and non-line of sight (NLOS) configurations respectively. The main challenge in UWB propagation stems from the fact that the receiver is very resolvable in time. Since the transmitted pulse is very short, paths separated by one nanosecond or less may be resolvable by the receiver, resulting in hundreds of paths for typical propagation environments. According to values provided in (Molisch et al., 2004), Table 1 shows the number of paths containing the 85% of the energy and the r.m.s. delay spread of channel models 3 and 4. The first parameter ranges from 22 to 45, while the latter can be up to 13 ns. Therefore, channel dispersion is very challenging for the receiver, both in terms of capturing the received signal energy and in terms of channel estimation, as it is argued in the following sections.

For the sake of simplicity and without loss of generality we will consider a simplified channel model that avoids the differentiation of paths in clusters. In this model each ray is represented by its amplitude ( $\beta_r$ ) and delay  $\tau_r$ , where  $r$  is the path index. Then, the baseband channel model can be expressed as

$$h(t) = \sum_r \beta_r \delta(t - \tau_r) \tag{3}$$

Channel Model	Environment	r.m.s. delay spread	Avg. no. paths for > 85% energy	Avg. no. paths over -10 dB
3	Indoor (office) LOS	10 ns	22.4	14.4
4	Indoor (office) NLOS	13 ns	45.5	30.4
5	Outdoor LOS	29 ns	35.8	17.3
6	Outdoor NLOS	74 ns	65.1	24.5

Table 1. Time Dispersion of IEEE 802.15.4a Channel Models.

where index  $r$  includes information of the number of cluster and the number of ray in each cluster. According to this channel model and assuming the presence of additive white Gaussian noise (AWGN)  $\eta(t)$  with variance  $\sigma_\eta^2$  the received signal is given by

$$r(t) = \sum_r \beta_r s(t - \tau_r) + \eta(t) \quad (4)$$

In general the maximum excess delay of the channel,  $\tau_{max} = \max\{\tau_r\}$ , can be longer than the modulation interval  $T_\Delta$ , and even longer than the symbol interval  $T_s$ , causing inter-symbol interference (ISI). However, to evaluate the capabilities of capturing the received signal energy on different receiver approaches it is assumed that  $\tau_{max} < T_\Delta$ . Note that with this assumption all bit energy lies in one of the available modulation intervals. In this case, defining

$$h_p(t) = p(t) \otimes h(t) \quad (5)$$

the received signal can be modeled as

$$r(t) = \sum_l \sqrt{E} h_p(t - lT_s - b_l T_\Delta - c_{h,l}^{TH} T_c - hT_f) + \eta(t) \quad (6)$$

### 3. Filter Bank Receiver Architecture

As it can be inferred from the previous section, designing a good receiver for UWB in dispersive channels is a challenging task given the large number of resolvable propagation paths. We begin this section with a brief overview of UWB receivers. As we will see, these receivers, which provide very good performance in traditional narrowband transmission, present several shortcomings when dealing with UWB signals in dispersive channels. This motivates the filter bank architecture, which consists in splitting the UWB signal in several subbands and then sampling them at Nyquist rate. This architecture aims at maximizing the received signal energy while keeping complexity at bay. Moreover, we will see that the presented receivers may be obtained through a generalized filter bank interpretation.

#### 3.1 Overview of Ultra Wideband Receivers

A first approach, referred to as *stored reference (SR) Receiver*, consists in correlating the received signal with a locally generated template  $s_{tmp}(t)$  and then sampling the output at rate  $F = \frac{1}{T}$ , where  $T$  is the integration time of the correlation. The stored reference receiver is shown in Fig. 2. The signal template  $s_{tmp}(t)$  is generated with the same structure used at the transmitter, that is,

$$s_{tmp}^{sr}(t) = \sum_l \sum_h \sum_{k=0}^{N_{sr}} c_{h,l}^{DS} p(t - lT_s - c_{h,l}^{TH} T_c - hT_f - kT - \tau_s) \quad (7)$$

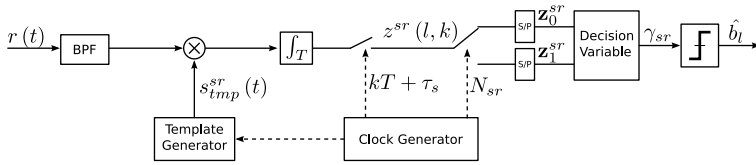


Fig. 2. Stored Reference Receiver.

where  $p(t)$  is the transmitted pulse with unit energy,  $l$  represents the symbol index and  $N_{sr}$  is the number of samples taken in each modulation interval, which is given by  $N_{sr} = \frac{T}{T_\Delta}$ . The term  $\tau_s$  represents the sampling offset, which is intentionally modeled to represent the ability of the receiver to modify  $\tau_s$  to maximize the captured energy, particularly on multipath channels. After the analog correlator, the signal is sampled by an ADC at rate  $N_{sr}/T$ , and fed to a bank of correlators operating on decision variables  $\mathbf{z}_0^{sr}$  and  $\mathbf{z}_1^{sr}$ , containing all samples taken at each respective modulation interval. Finally, a decision variable is obtained as

$$\gamma_l = \mathbf{w}^T (\mathbf{z}_1^{sr} - \mathbf{z}_0^{sr}) \tag{8}$$

where the weights  $\mathbf{w}$  correspond to a whitened matched filter for reception with Gaussian noise (Kay, 1998).

Another common approach to receive spread spectrum signals in a multipath propagation environment is the RAKE Receiver, shown in Fig. 3. The RAKE receiver uses multiple correlators that lock at different multipath replicas (Zhu et al., 2008). The output of the correlators is sampled and combined before symbol detection. RAKE receivers require accurate estimation of the delay, amplitude, phase and shape (distortion) of the pulses at each individual arrival. When the number of fingers  $N_{rk}$  is equal to the number of resolvable paths, this receiver constitutes in fact the matched filter receiver. In practice, given the large number of resolvable UWB paths, the receiver will capture only a fraction of the received signal energy, since increasing  $N_{rk}$  has a relevant impact on its complexity.

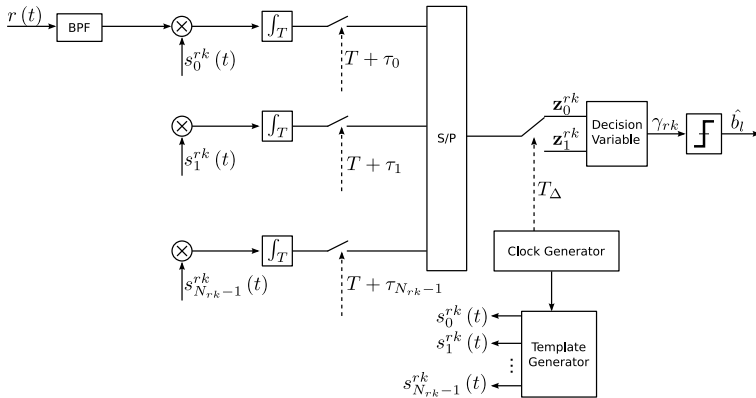


Fig. 3. RAKE Receiver.

Since the received signal is correlated by locally generated replicas of the effective channel impulse response, the analysis of the RAKE receiver is similar to that of the SR receiver. The

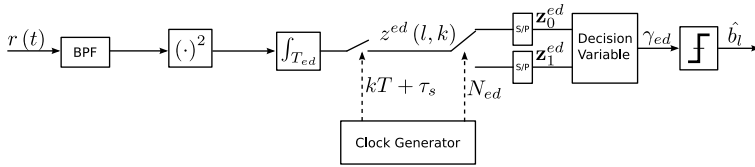


Fig. 4. Energy Detector Receiver.

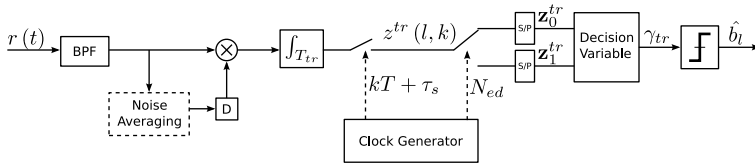


Fig. 5. Transmitted Reference Receiver.

signal template of the  $k$ -th finger is constructed in the same way as the transmitted signal and is given by

$$s_k^{rk}(t) = \sum_l \sum_h p(t - lT_s - c_l^{TH}T_c - hT_f - \tau_k) \tag{9}$$

where  $k \in \{0, \dots, N_{rk} - 1\}$  and  $\tau_k$  represents the  $k$ -th propagation path with largest energy. Note that the RAKE receiver requires  $N_{rk}$  ADC converters sampling at symbol rate while SR receiver requires just one converter and an oversampling factor of  $N_{sr}$  with respect to the RAKE approach. In both cases the number of samples taken in a modulation interval is a critical parameter.

In the following we discuss two non-coherent approaches, namely the *Energy Detector* and the *Transmitted Reference Receiver*. In contrast to RAKE and SR approaches the energy detector (ED) receiver does not correlate the received signal with a local template. Instead, the analog front-end adds up the received energy in each modulation interval to create the decision variables. Fig. 4 shows the main blocks that constitute the ED receiver.

The Transmitted Reference Receiver was originally created to avoid the local knowledge of the correlation template, which requires a priori knowledge of the carrier to interference ratio (CIR). To this end, the transmitted signal generates a reference pulse for each transmitted pulse. The two pulses are separated an interval that is longer than the maximum excess delay of the channel. The first pulse is used as a correlation template while the second pulse is used for signal detection. The receiver functional block diagram is depicted in Fig. 5. The signal is correlated by a delayed version of itself, integrated and then sampled at rate  $T$ . For each modulation interval  $N_{tr}$  samples are collected, where  $N_{tr} = \frac{T_s}{T}$ , and then processed.

### 3.2 Time-frequency Representations

The coherent receivers described in the previous sections, namely stored reference and RAKE receivers, use analog components to generate a signal template and correlate it with the received signal. This approach places serious complexity constraints on these structures, such as the number of fingers of the RAKE receiver. An interesting alternative is to perform all these operations (template generation and correlation) in the digital domain, where more complex structures can be addressed if enough computing power is available. However, implementing an all-digital receiver (see (Blazquez et al., 2003) for example) requires sampling the received

signal at Nyquist rate, which can be very challenging for signals with up to 10 GHz bandwidth. An alternative approach is considered in this section, where sampling is performed in a time-frequency grid rather than in the time domain only.

Representing a signal by a discrete set of samples is a fundamental problem in signal processing. Signal projection onto a set of base functions and series expansion of signals provides an elegant way to represent a broad range of possibilities for signal acquisition. An important step in a series expansion is the choice of an appropriate basis to represent the signal of interest. That is, given a signal  $s(t)$  choosing a set of functions  $\gamma_k(t)$  and  $g_k(t)$  such that the basis coefficients are obtained as

$$s_k = \langle s(t), \gamma_k(t) \rangle = \int_{-\infty}^{+\infty} s(\tau) \gamma_k(\tau) d\tau \quad (10)$$

while the original signal is reconstructed as

$$s(t) = \sum_k s_k g_k^*(t) \quad (11)$$

where (10) is known as the analysis equation while the linear expansion in (11) is known as the synthesis equation. If  $g_k(t) = \gamma_k(t)$ , then (11) is known as the orthogonal series expansion of  $s(t)$ . Otherwise, the functions  $\gamma_k(t)$  and  $g_k(t)$  are a set of biorthogonal functions with the property

$$\langle g_j(t), \gamma_i(t) \rangle = \delta_{i-j}(t)$$

where  $\delta_{i-j}(t)$  is defined such that  $\delta_{i-j}(t) = 0$  unless  $i = j$ , in which case  $\delta_0(t) = \delta(t)$ . The idea to take signal samples from its representation in the time-frequency plane was suggested by (Gabor, 1946). Instead of processing the entire signal at once, Gabor proposed to divide the signal into equally sized segments and then perform the Fourier transform of each segment. The result provides local information about the frequency content on each time interval. To perform the two-dimensional sampling on  $s(t)$  the time axis is divided into  $N$  equally sized intervals of length  $T$ , which represent the time-domain sampling period. Each segment of  $s(t)$  is labeled as  $s_n(t)$  and is given by

$$s_n(t) = s(t) \Pi\left(\frac{t-nT}{T}\right) \quad (12)$$

where  $n$  indexes the number of segments and  $\Pi(t)$  represents a square pulse of unit length and amplitude. Since  $s_n(t)$  is a time-limited signal, its Fourier transform  $S_n(f)$  can be expressed as the sequence of discrete samples

$$S_n(f) = \sum_k S(kB) \text{Sinc}\left(\frac{f}{B} - k\right) \quad (13)$$

where  $B = \frac{1}{T}$  is the sampling interval in the frequency domain. Fig. 6 shows an example of the two-dimensional sampling grid. The product  $BT$  defines the density of samples taken from the time-frequency energy distribution of the signal. Nyquist density, defined as the time-frequency product  $BT = 1$ , provides the minimum set of samples required for perfect signal reconstruction. Lower values of  $BT$  imply oversampling the signal, while larger values correspond to subsampling, in which case not all the signal energy is captured.

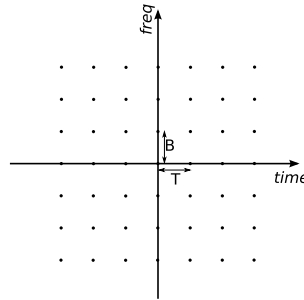


Fig. 6. Example of 2-dimensional sampling grid.

Let us denote by  $s_{n,m}$  the two-dimensional samples of  $s(t)$ . Indexes  $n$  and  $m$  represent the time and frequency domain sampling, respectively. Denoting  $\hat{s}_n(t)$  as the periodic signal obtained by the sampling of  $S_n(f)$  it follows that

$$s_{n,m} = S_n(mB) = \int_{-T}^T \hat{s}_n(t) e^{-j2\pi mBt} dt \tag{14}$$

$$= \int_{-\infty}^{\infty} s(t) \Pi\left(\frac{t-nT}{T}\right) e^{-j2\pi mBt} dt \tag{15}$$

Therefore, the two-dimensional samples can be expressed as a function of the time-domain signal  $s(t)$  as follows

$$s_{n,m} = \int_{-\infty}^{\infty} s(t) \gamma_{n,m}(t) dt \tag{16}$$

where

$$\gamma_{n,m}(t) = \Pi\left(\frac{t-nT}{T}\right) e^{-j2\pi mBt} \tag{17}$$

Using the synthesis equation of the series expansion, the reconstruction of the signal  $s(t)$  is given by

$$\hat{s}(t) = \sum_n \sum_m s_{n,m} \gamma_{n,m}^*(t)$$

Assuming that an uncounted number of frequency domain samples are taken on each interval and  $BT = 1$ , one would provide a perfect signal reconstruction. Limiting the number of samples on each interval to a finite number  $M$  leads to the  $M$ -th order representation of  $s(t)$ , which is defined as the truncated series expansion,

$$\tilde{s}(t) = \sum_n \sum_{m=0}^{M-1} s_{n,m} \gamma_{n,m}^*(t)$$

A figure of merit of the quality of signal acquisition can be given in terms of the MSE of the truncated series representation, which is given by

$$\begin{aligned} MSE_{2D} &= \int |s(t) - \sum_n \sum_{m=0}^{M-1} s_{n,m} \gamma_{n,m}^*(t)|^2 dt \\ &= \sum_n \sum_{m=M}^{\infty} |s_{n,m}|^2 \end{aligned}$$



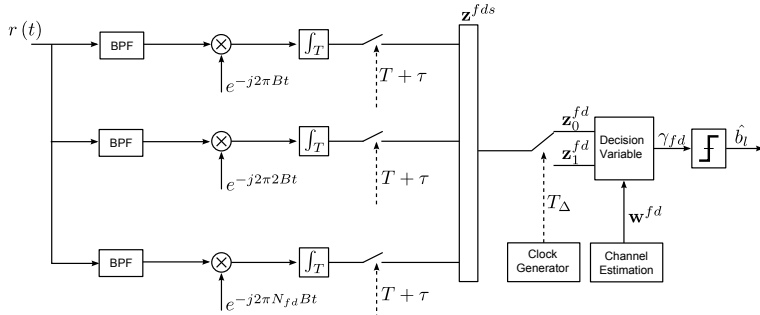


Fig. 7. Block diagram of a Filter Bank Receiver.

Therefore, having the a priori knowledge of the signal bandwidth one can define  $M$  to achieve a given MSE on the signal reconstruction.

**3.3 Filter Bank Receiver**

The fundamental idea behind the filter bank receiver is to provide an implementation that allows us to obtain a highly accurate time-frequency representation of the received UWB signal. Consider an IR signal as described in Section 2, in which 2-Pulse Position Modulation (PPM) modulation is used. The signal length conveying a block of  $N_p$  bits is  $T_p = N_p T_s$ . The channel model is the same one used in (3) where the maximum excess delay of the channel is considered lower than the modulation interval. The noise is assumed to be AWGN with variance  $\sigma_\eta^2$ . Fig. 7 shows the block diagram of the filter bank receiver. The receiver implements a 2-dimensional sampling stage by splitting the input signal into  $M$  paths and correlating it with the basis function

$$\gamma_{n,m}(t) = \Pi\left(\frac{t - nT}{T}\right) e^{-j2\pi mB(t-nT)} \tag{18}$$

In practice, this operation may be carried out with orthogonal, or quasi-orthogonal, bandpass filters. The output of each correlator is sampled at a rate  $\frac{1}{T}$ , and all samples associated to each modulation interval are arranged in a vector. The captured samples can be expressed as

$$z_{n,m} = \langle r(t), \gamma_{n,m}(t) \rangle \tag{19}$$

where  $m \in (1, \dots, M)$  indexes the samples in frequency domain. The collected samples for each symbol form a two-dimensional set of samples. Using (6) and (19) it follows that, when the signal is present on a given interval,

$$z_{n,m} = \langle h_p(t), \gamma_{n,m}(t) \rangle + \langle \eta(t), \gamma_{n,m}(t) \rangle \tag{20}$$

Let  $\mathbf{z}_0^{fb}(l)$  be the vector gathering all samples in the modulation interval associated to  $b_l = 0$  of the  $l$ -th symbol, and  $\mathbf{z}_1^{fb}(l)$  the vector for the time interval corresponding to  $b_l = 1$ . The statistics of  $\mathbf{z}_0^{fb}(l)$  and  $\mathbf{z}_1^{fb}(l)$  are given by

$$\mathbf{z}_0^{fb}(l) = \begin{cases} \mathcal{N}\left(\mathbf{z}_p^{fb}(k), \mathbf{C}_\eta^2\right), & b_l = 0 \\ \mathcal{N}\left(\mathbf{0}, \mathbf{C}_\eta^2\right), & b_l = 1 \end{cases} \tag{21}$$

$$\mathbf{z}_1^{fb}(l) = \begin{cases} \mathcal{N}(\mathbf{0}, \mathbf{C}_\eta^2), & b_l = 0 \\ \mathcal{N}(\mathbf{z}_p^{fb}(k), \mathbf{C}_\eta^2), & b_l = 1 \end{cases} \quad (22)$$

where  $\mathbf{z}_p^{fb} = [\{ \langle h_p(t), \gamma_{n,m}(t) \rangle \}_{n,m}]^T$  and  $\mathbf{C}_\eta$  is the noise covariance matrix. These vectors are combined to make the decision variable. Defining the combining weights as  $\mathbf{w} = [w_0, w_1, \dots, w_{MN_{fb}-1}]^T$ , the decision variable is given by

$$\gamma_l = 2\Re\{\mathbf{w}^H (\mathbf{z}_1^{fb} - \mathbf{z}_0^{fb})\} \quad (23)$$

The weights that lead to optimal solution for Gaussian noise correspond to the generalized matched filter solution (Kay, 1998), which defines the weights as  $\mathbf{w} = [\mathbf{C}_{fb}^{-1} \mathbf{z}_p^{fb}]$ . The statistics of the decision variable are given by

$$\gamma_l^{fb} = \begin{cases} \mathcal{N}(\mathbf{z}_p^{fbH} \mathbf{C}_{fb}^{-1} \mathbf{z}_p^{fb}, \mathbf{z}_p^{fbH} \mathbf{C}_{fb}^{-1} \mathbf{z}_p^{fb}), & b_l = 1 \\ \mathcal{N}(-\mathbf{z}_p^{fbH} \mathbf{C}_{fb}^{-1} \mathbf{z}_p^{fb}, \mathbf{z}_p^{fbH} \mathbf{C}_{fb}^{-1} \mathbf{z}_p^{fb}), & b_l = 0 \end{cases} \quad (24)$$

Using (24) it follows that the BER for the filter bank receiver is given by

$$BER_{fb} = Q\left(\sqrt{\mathbf{z}_p^{fbH} \mathbf{C}_{fb}^{-1} \mathbf{z}_p^{fb}}\right) \quad (25)$$

Provided that the set of functions  $\gamma_{n,m}(t)$  constitute an orthogonal basis, and assuming that the noise vector is AWGN, the noise covariance matrix becomes  $\mathbf{C}^{fb} = I\sigma_\eta^2$  and the BER is reduced to

$$BER_{fb} = Q\left(\sqrt{\frac{\mathbf{z}_p^{fbH} \mathbf{z}_p^{fb}}{2\sigma_\eta^2}}\right) \quad (26)$$

Note that the product  $\mathbf{z}_p^{fbT} \mathbf{z}_p^{fb}$  can be expressed, in terms of the MSE of the  $M$ -th order representation of  $s(t)$ , as

$$\mathbf{z}_p^{fbT} \mathbf{z}_p^{fb} = \sum_{n=0}^N \sum_{k=1}^M \|H_n(kB)\|^2 = \quad (27)$$

$$= \sum_{n=0}^N \left(1 - \sum_{k=M+1}^\infty \|S_n(kB)\|^2\right) = \quad (28)$$

$$= \sum_{n=0}^N (1 - MSE_n) = 1 - MSE \quad (29)$$

where  $H_n(f)$  is the Fourier transform of  $h_p(t)\Pi\left(\frac{t-nT}{T}\right)$ . Therefore, the BER of the filter bank receiver may also be expressed in terms of the reconstruction MSE.

At this point it is interesting to look back at the SR and RAKE receivers as implementations of a more general filter bank concept. Both receivers are based on sampling the received signal after correlating with a locally generated template. While the SR Receiver implements

a single correlator, the RAKE Receiver uses a multiple correlators in parallel. In both cases, the correlation can be expressed as a signal projection over a particular basis. Therefore, SR and RAKE receivers can be expressed as a generalized class of receiver based on signal projection over a given basis. The complexity of each receiver is determined by the following factors:

- Size of the basis, which determines the number of sampling units.
- Sampling frequency at each ADC.
- Sampling offset of each ADC.
- Requirement that sampling clock is synchronized with received signal.

This interpretation is useful to compare SR and RAKE receivers to the frequency domain filter bank receiver. In Table 2 we compare these receivers in terms of requirements and complexity. In the table,  $N$  stands for the number of samples captured in each modulation interval.

Receiver Type	Basis function	$N$	Number of sampling units	Synchronized clock
SR	$p(t)$	$\geq 1$	1	No
RAKE-M	$\beta_n p(t - \tau_n)$	1	$M_{rk} > 1$	Yes
Filter bank	$\Pi\left(\frac{t-nT}{T}\right) e^{-j2\pi m B t}$	$\geq M/B$	$\geq B/M$	No

Table 2. Comparison of UWB Receivers as Generalized Filter Banks.

### 3.4 Performance of the Filter Bank Receiver

We now compare the performance of the filter bank receiver with the other receivers described. In terms of performance, one may look at the reconstruction MSE or the BER, which are related by (29). Regarding the BER, the IEEE channel model type 3 is used, bounding the maximum excess delay to  $\max\{\tau_r \leq 50ns\}$ . The receivers are assumed to be accurately synchronized to the leading edge of the received signal. The receiver settings used in the simulations are summarized in Table 3, which also reports the mean square error for each receiver. It can be seen that a filter bank receiver achieves the lowest MSE if 4 or more filters are used, even compared to a RAKE receiver with 16 fingers. The average BER of the receivers in Table 3 is shown in Fig. 8. As it can be seen, the BER of the filter bank receiver approaches the matched filter bound as the number of filters increases, and is lower than for the other receivers for  $M \geq 4$ . In the simulations, an ideal basis function with square pulses was used. Such basis may not be used in practice, since it requires each filter to have unlimited bandwidth. The use of different basis functions may deteriorate the performance of the filter bank receiver. Moreover, if the basis functions do not form an orthogonal basis, further receiver processing is necessary. Results in (Mollfulleda et al., 2010) show, however, that the performance of a filter bank receiver using implementable Gaussian filters is still superior to other receiver types.

## 4. Time of Arrival Estimation and Localization

The wide bandwidth used by UWB radio systems provides two fundamental advantages for localization applications, especially in short-range wireless networks. On the one hand, diversity in frequency components increases the probability that some portion of the signal power can penetrate and go through obstacles. This allows applications such as through-the-wall

Receiver Type	Sampling Rate	No. of ADC	samples on each Modulated interval	MSE (dB)
SR-2G	2 GHz	1	$N_{sr} = 50$	-1.67
SR-4G	4 GHz	1	$N_{sr} = 100$	-2.52
RK-8	20 MHz	8	$N_{rk} = 8$	-3.92
RK-16	20 MHz	16	$N_{rk} = 16$	-5.92
Filter Bank M=2	2 GHz	4	$N_{fb} = 400$	-2.3
Filter Bank M=4	2 GHz	8	$N_{fb} = 800$	-10.59
Filter Bank M=6	2 GHz	12	$N_{fb} = 1200$	-13.8

Table 3. Receiver Settings for BER Simulation.

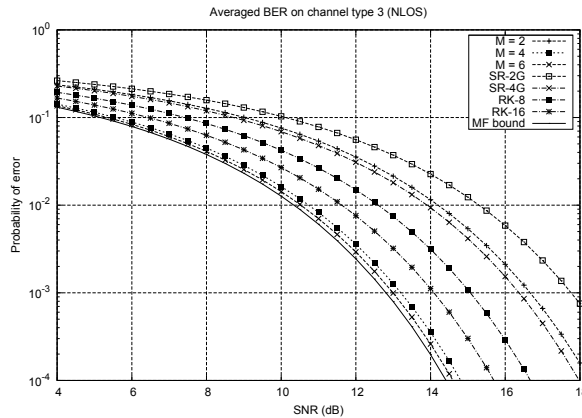


Fig. 8. Averaged BER curves in channel type 3 for the Filter Bank Receiver, SR receiver, and RAKE Receiver. The Matched filter bound is also plot for comparison.

radars, or vision through an opaque medium, where challenges are related to counteracting the distortion due to the dispersive properties of different materials. On the other hand, a large relative bandwidth improves ranging accuracy: it is well known that the Cramér-Rao Bound (the theoretical minimum variance achievable by an unbiased estimator) of time–delay estimator is inversely proportional to the RMS bandwidth, also known as Gabor bandwidth, defined as:

$$B_{RMS} = \sqrt{\frac{\int_{-\infty}^{\infty} f^2 |P(f)|^2 df}{\int_{-\infty}^{\infty} |P(f)|^2 df}} \tag{30}$$

where  $P(f)$  is the Fourier transform of the pulse waveform. Inspecting equation (30), it is easily seen that we can increase the RMS bandwidth using modulations whose power spectrum concentrates a greater percentage of their power farther from the signal center frequency, because of the weighting term  $f^2$ . In that sense, IR–UWB systems exhibit a very large RMS bandwidth due to the short duration of the pulses (less than one nanosecond), which have strong high–frequency components. This implies that the fundamental lower limit of the variance of an IR–UWB timing estimator is dramatically small, and hence this explains the potentiality of

this technology for accurate localization or ranging purposes. However, current technology can hardly cope with sampling rates at or above the Nyquist rate, and thus the Cramér–Rao Bound is difficult to attain, notably in dense–multipath indoor environments.

Indeed, one of the most attractive features of UWB systems is their intrinsic potential to allow for very accurate positioning. Due to their large signal bandwidth, UWB signals exhibit very high time resolution. This high time resolution allows receivers to resolve individual components in dense multipath propagation scenarios, which has strong implications to obtain accurate time of arrival (TOA) measurements. In order to measure the TOA between two nodes the receiver needs to identify the first arriving path, which is associated to LOS propagation. In a multipath scenario, the direct path may be masked in a multipath cluster, unless the receiver is able to resolve individual paths within that cluster. Therefore, time–based positioning is the most widely selected technique when implementing localization in UWB systems. This section addresses the estimation of timing measurements and their application to ranging and positioning. We start addressing the more general problem of synchronization for very broadband signal systems and continue with a review of the state–of–the–art on TOA estimation algorithms, which can be broadly classified in two main categories: energy detection and correlator–based.

Special attention is placed to the the filter bank receiver in order to derive suitable algorithms for TOA estimation of the LOS signal, emphasizing some of the main drawbacks linked to the receiver architecture, and arguing for a frequency domain processing for the estimation of the TOA, particularly suitable for the filter–bank receiver, as shown in (Navarro & Nájjar, 2007). The filter–bank architecture of the receiver falls very naturally into frequency domain processing since the filters output represents the DFT components of the received UWB signal. Also, well–known high–resolution spectral estimation methods can be applied directly to the frequency domain signal samples achieving very accurate timing estimation. Finally, the section addresses positioning by considering a particular approach based on data fusion algorithms. This technique is particularly attractive for developing global positioning systems that solve the outdoor/indoor transition problem efficiently.

#### **4.1 Synchronization for Wideband Signals**

Synchronization is an essential part in every communication system, but it is critical in UWB communication systems, given that small timing errors of the order of the pulse duration can considerably degrade system performance. In general, synchronization involves recovering information at several levels: carrier recovery, symbol timing recovery, and frame synchronization. However, in the case of carrier–less impulse radio UWB, based on PPM modulation, synchronization is reduced to timing synchronization.

The synchronization technique to be developed depends on the receiver architecture and capabilities. A broad classification falls into synchronization for coherent and non–coherent receivers. The coherent reception of IR–UWB signal indicates the recovery of polarity of UWB pulse as well as the position information, while the non–coherent reception can only recover the position information by collecting the energy of the pulses. Most of the research work on IR–UWB implementation focuses on a non–coherent receiver because it has the advantage of avoiding the use of a bank of correlators and pulse matched filter, which leads to simpler implementations.

Nevertheless, we shall review the coherent techniques suitable for PPM modulated IR–UWB signals to provide a benchmark for lower complexity techniques. The basis can be found on

the matched filter solutions, see (Oh & Kim, 2008; Oh et al., 2009; Wu et al., 2008), and (Kim et al., 2009). As introduced earlier, the advantages of coherent reception include:

- First, the coherent reception is important for frame acquisition and ranging during the preamble symbol interval. Timing or frame acquisition in a coherent receiver is very accurate compared with a non-coherent receiver, which in turn leads to accurate ranging.
- Second, coherent reception can achieve more channel coding gain since convolutional decoding can be performed during the header and payload intervals.

Research on coherent algorithms for UWB receivers was first conducted by (Lee & Scholtz, 2002), proposing a CLEAN (see (Högbom, 1974)) based iterative correlation algorithm; while high precision can indeed be achieved, the iterative amplitude estimating and adjusting process makes the algorithm extremely computationally burdensome. (Wu et al., 2007) optimized the process of amplitude adjusting, which greatly reduced the computation complexity without harming performance; however, in presence of severe multipath, the algorithm still has to carry out repeated correlations and amplitude estimations. Therefore, some researchers considered detecting the direct path directly from the match-filtering output of the received signal. In the work by (Chung & Ha, 2003), the peak of match-filtering output was considered as the location of the direct path, but this is only applicable for LOS situations with transceiver antennas being omnidirectional. Threshold detection was conducted in (Low et al., 2005) and (Lee & Yoo, 2006), but presenting some difficulties for a practical implementation. Traditional tracking loops were implemented based on phase-locked loops (PLLs) and baseband code tracking delay-locked loops (DLLs). However, because of the extremely low duty cycle and significantly large bandwidth in IR-UWB, it is no longer valid to use the traditional sampling and interpolation method, see (Gardner, 1986). This challenge motivates us to draw on conventional PLL, delay locked loop, and code tracking loop theories to design appropriate equivalent timing locked loop for tracking of ultra-short IR-UWB impulses.

**4.1.1 Synchronization in UWB Systems with Dirty Templates**

The Timing with Dirty Templates (TDT) approach applied to PPM was presented in (Yang, 2006). The derivation is as follows: first, we reformulate the integrate-and-dump operation for PPM signals:

$$x(k; t) = \int_0^{T_s} r_{2k+1}(t; \tau) \check{r}_{2k}(t; \tau) dt \quad \forall \tau \in [0, T_s], \tag{31}$$

where

$$\check{r}_k(t; \tau) = r_k(t + \Delta; \tau) - r_k(t - \Delta; \tau), \tag{32}$$

and  $\Delta = b_l T_\Delta$  is the PPM modulation index in (1). To see how (31) enables TDT, let us first consider its noise-free part

$$\chi(k; \tau) = \int_0^{T_s} \rho_{2k+1}(t; \tau) \check{\rho}(t; \tau) dt, \tag{33}$$

where  $\rho_k(t; \tau)$  and  $\check{\rho}(t; \tau)$  represent the noise-free parts of  $r_k(t; \tau)$  and  $\check{r}(t; \tau)$ , respectively. By definition, and since waveform  $p_r(t)$  has a nonzero support upper bounded by the symbol duration  $T_s$ , we have

$$\rho_k(t; \tau) = \sqrt{E} \sum_{m=0}^1 p_r(t + mT_s - \check{t}_0 - s_{k-k_0-m}\Delta), \tag{34}$$

$$\check{\rho}_k(t; \tau) = \rho_k(t + \Delta; \tau) - \rho_k(t - \Delta; \tau), \quad \forall t, \tau \in [0, T_s) \tag{35}$$

where  $\check{\tau}_0 = [\tau_0 - \tau] \bmod T_s$  and  $k_{\tau_0} = \lfloor \frac{\tau_0 - \tau}{T_s} \rfloor \in \{0, -1\}$ . Although  $k_{\tau_0}$  can induce demodulation delay, it does not affect the  $\tau_0$  estimation. For notational brevity, we will henceforth omit  $k_{\tau_0}$ . Using (34), Appendix I of (Yang, 2006) shows that, when the PPM modulation index satisfies  $\Delta \ll T_f$ , the noise-free part of  $x(k; \tau)$  in (31) simplifies to

$$\chi(k; \tau) \approx (s_{2k-1} - s_{2k})E_A(\check{\tau}_0) + (s_{2k} - s_{2k+1})E_B(\check{\tau}_0) \tag{36}$$

where we have used the definitions

$$E_A(\check{\tau}_0) = E \int_{T_s - \check{\tau}_0}^{T_s} p_r^2(t) dt \tag{37}$$

$$E_B(\check{\tau}_0) = E \int_0^{T_s - \check{\tau}_0} p_r^2(t) dt \tag{38}$$

**Non-data-aided TDT**

Averaging with respect to the random symbols  $\{s_k\}$ , the mean-square of  $\chi(k; \tau)$  is

$$E_s \{ \chi^2(k; \tau) \} \approx \frac{1}{2} \left( E_R^2 - 3E_A(\check{\tau}_0)E_B(\check{\tau}_0) \right) \tag{39}$$

which contains the energy product  $E_A(\check{\tau}_0)E_B(\check{\tau}_0)$  and is uniquely maximized at  $\check{\tau}_0 = 0$ , that is, at the correct timing  $\tau = \tau_0$ . In (39),  $E_R = E_A(\check{\tau}_0) + E_B(\check{\tau}_0) = E \int_0^{T_s} p_r^2(t) dt$  is the constant energy of the unknown aggregate template at the receiver.

When we take into account the bandpass-filtered zero-mean additive Gaussian noise  $\eta(t)$ , the symbol-rate samples obtained by integrating and dumping the products of adjacent “dirty templates” become

$$x(k; \tau) = (s_{2k-1} - s_{2k}) E_A(\check{\tau}_0) + (s_{2k} - s_{2k+1}) E_B(\check{\tau}_0) + \zeta(k; \tau) \tag{40}$$

where the noise term  $\zeta(k; \tau)$  can be expressed as

$$\zeta(k; \tau) = \zeta_1(k; \tau) + \zeta_2(k; \tau) + \zeta_3(k; \tau) \tag{41}$$

$$\zeta_1(k; \tau) = \int_0^{T_s} \check{\rho}_{2k}(t; \tau) \eta_{2k+1}(t; \tau) dt \tag{42}$$

$$\zeta_2(k; \tau) = \int_0^{T_s} \rho_{2k+1}(t; \tau) (\eta_{2k}(t + \Delta; \tau) - \eta_{2k}(t - \Delta; \tau)) dt \tag{43}$$

$$\zeta_3(k; \tau) = \int_0^{T_s} \eta_{2k+1}(t; \tau) (\eta_{2k}(t + \Delta; \tau) - \eta_{2k}(t - \Delta; \tau)) dt \tag{44}$$

with  $\eta_k(t; \tau) = \eta(t + kT_s + \tau), \forall t \in [0, T_s)$ . Appendix II of (Yang, 2006) shows that the noise term  $\zeta(k; \tau)$  can be well approximated as white Gaussian noise with zero mean and variance  $\sigma_{\zeta}^2 \approx 2E_R N_0 + BT_s N_0^2$ . Then, the mean square of the samples of  $x(k; \tau)$  can be found as

$$E_{s, \zeta} \{ x^2(k; \tau) \} = E_s \{ \chi^2(k; \tau) \} + E_{xi} \{ \zeta^2(k; \tau) \} \tag{45}$$

$$\approx \frac{1}{2} \left( E_R^2 - 3E_A(\check{\tau}_0)E_B(\check{\tau}_0) + 2\sigma_{xi}^2 \right) \tag{46}$$

which is uniquely maximized when  $\check{\tau} = 0$ , that is, when  $\tau = \tau_0$ . Then, the non-data-aided TDT is:

$$\tau_0 = \arg \max_{\tau \in [0, T_s]} E_{s, \check{\zeta}} \{x^2(k; \tau)\} \tag{47}$$

Replacing the ensemble mean with its sample mean estimator, we have the following timing algorithm:

$$\hat{\tau}_0 = \arg \max_{\tau \in [0, T_s]} \frac{1}{K} \sum_{k=1}^K \left( \int_0^{T_s} r_{2k}(t; \tau) \check{r}_{2k-1}(t; \tau) dt \right)^2 \tag{48}$$

This estimator is a blind (non-data-aided) unbiased and consistent estimator in the mean-square sense, as can be seen from the mean and variance of the cost function:

$$m(K, \tau) = E \left\{ \frac{1}{K} \sum_{k=1}^K \left( \int_0^{T_s} r_{2k}(t; \tau) \check{r}_{2k-1}(t; \tau) dt \right)^2 \right\} = \tag{49}$$

$$= \frac{1}{2} \left( E_R^2 - 3E_A(\check{\tau}_0)E_B(\check{\tau}_0) + 2\sigma_{\check{\zeta}}^2 \right) \tag{50}$$

and

$$\sigma^2(K, \tau) = \text{var} \left\{ \frac{1}{K} \sum_{k=1}^K \left( \int_0^{T_s} r_{2k}(t; \tau) \check{r}_{2k-1}(t; \tau) dt \right)^2 \right\} = \tag{51}$$

$$= \frac{2\sigma_{\check{\zeta}}^2}{K} \left( E_R^2 - 3E_A E_B + \sigma_{\check{\zeta}}^2 \right) + \frac{1}{4K} \left( E_R^2 - 3E_A E_B \right)^2 \tag{52}$$

It is worth emphasizing that the basic idea behind our TDT estimator is that  $E_A(\check{\tau}_0)E_B(\check{\tau}_0)$  is minimized when  $\check{\tau}_0 = 0$  and thus  $\tau = \tau_0$ . Although terms  $E_R$  and  $\sigma_{\check{\zeta}}$  are unknown because  $p_r(t)$  is unknown, they remain constant  $\forall \tau$ , and thus do not affect the peak-picking operation in finding  $\hat{\tau}_0$ .

**Data-aided TDT**

From (40), we observe that: 1) when  $\check{\tau}_0 \neq 0$ , then  $x(k; \tau)$  only contributes noise if  $s_{2k-1} = s_{2k} = s_{2k+1}$  and 2) when  $\check{\tau}_0 = 0$ , then  $x(k; \tau)$  only contributes noise if  $s_{2k} = s_{2k+1}$ . To avoid these noise-only contributions that do not contain any timing information, the training sequence  $\{s_k\}$  should be designed such that no successive symbols are the same. Hence, the training sequence for data-aided TDT is designed to comprise a repeated pattern (1, 0); that is

$$s_k = \{k + 1\}_2 \tag{53}$$

It can be easily verified that this pattern simplifies (40) to

$$x(k; \tau) = E_B(\check{\tau}_0) - E_A(\check{\tau}_0) + \zeta(k; \tau) \tag{54}$$

Then, its mean-square becomes

$$E_{\check{\zeta}} \{x^2(k; \tau)\} = E_R^2 - 4E_A(\check{\tau}_0)E_B(\check{\tau}_0) + \sigma_{\check{\zeta}}^2 \tag{55}$$



Notice that the estimator (48) relies on three major steps: correlation, averaging, and squaring. The training sequence in (48) allows us to swap the order of these steps and alleviate the noise effects. Specifically, in the data-aided mode, it follows from (54) that

$$E_{\xi}^2 \{x(k; \tau)\} = E_R^2 - 4E_A(\check{\tau}_0)E_B(\check{\tau}_0) \quad (56)$$

In other words, by taking the *squared-mean* instead of *mean-square*, the noise variance term in (55) is eliminated. This observation leads us to the following result of a timing algorithm tailored for our carefully designed training sequence:

$$\hat{\tau}_0 = \arg \max_{\tau \in [0, T_s)} \left( \frac{1}{K} \sum_{k=1}^K \int_0^{T_s} r_{2k}(t; \tau) \check{r}_{2k-1}(t; \tau) dt \right)^2 \quad (57)$$

The mean and variance of this cost function can be obtained as

$$m(K; \tau) = E_R^2 - 4E_A(\check{\tau}_0)E_B(\check{\tau}_0) + \frac{\sigma_{\xi}^2}{K} \quad (58)$$

$$\sigma^2(K; \tau) = \frac{2\sigma_{\xi}^2}{K} \left( E_R^2 - 4E_A(\check{\tau}_0)E_B(\check{\tau}_0) + \frac{\sigma_{\xi}^2}{K} \right) \quad (59)$$

#### 4.1.2 Time of Arrival Estimation

One can view the estimation of TOA as a particular case of the timing acquisition problem. Synchronization is seen as the timing information required for data demodulation while TOA is linked to identify the first arriving path, but in essence both require similar techniques. In the case of IR-UWB the maximum likelihood (ML) solution is known (Lottici & Mengali, 2003) but has strong practical limitations due to the requirement of very high sampling rates and complexity. Although different ML approaches have appeared in the literature that manage to reduce complexity considerably López-Salcedo & Vázquez (2005); Yang & Giannakis (2005) there still exist practical limitations for their use in positioning applications. Efforts have been steered towards near optimum less complex solutions, most of them based on time domain approaches.

The majority of practical solutions for TOA estimation found in the literature can be broadly classified in energy-based and correlation-based approaches. A simplified representation of the receiver block diagram is depicted in Fig.9 for an scheme based on a correlator/matched-filter and energy detection, respectively. Energy based TOA estimators received considerable attention as a viable alternative to correlation-based methods (Cheong et al., 2005; Rabbachin et al., 2005) which require the estimation of the pulse shape. Indeed, energy detectors do not require expensive pulse-shape estimation algorithms and represent a good solution for low-power and low-complexity systems. The estimation scheme proposed and analyzed in (Rabbachin et al., 2005) is representative of a large class of energy based TOA estimation algorithms, where the incoming signal is squared and integrated over time intervals comparable with the pulse width. The integration time intervals defines in fact the time resolution of the algorithm and is also strongly related to its latency. These schemes also consider additional processing to improve signal quality. For instance, in (Rabbachin et al., 2005) the energies within non-overlapping adjacent windows are collected over several symbol periods to reduce the effects of background noise. The location of the direct path is computed as the index of the first interval where the energy overcomes a suitable threshold.

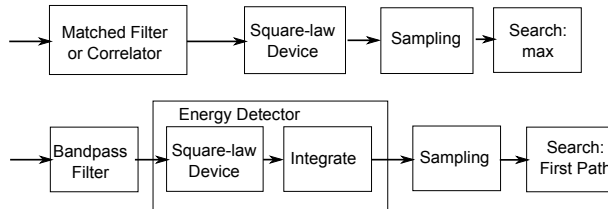


Fig. 9. Correlator (top) vs energy detector (bottom) approaches for TOA estimation.

Motivated by reducing sampling constraints and complexity, the estimation of the TOA in UWB is typically implemented in a two step approach. It consists on a first coarse estimation stage that provides symbol synchronization with coarse resolution, followed by a fine estimation stage that fully exploits the high time resolution capabilities of UWB signals and aims to achieve timing synchronization close to the theoretical bounds (of the order of pulse duration). The typical lower bound for timing synchronization accuracy is given by the Cramér-Rao bound, which has been found for multipath scenarios (Gezici et al., 2005; Navarro & Nájjar, 2009; Shen & Win, 2008; Zhang et al., 2005). However this bound is not tight for low to medium signal-to-noise ratio (SNR) values. For low SNR ranges other bounds like the improved Ziv-Zakai bound has been found (Dardari et al., 2006).

An example of a two stage approach for a low cost non-coherent receiver based on an energy detection can be found in (Guvenc & Sahinoglu, 2005a;b). The basic principle is based on integration windows which time resolution changes between the two stages. The estimation accuracy depends on the window resolution which in turn will impact on the searching time. Acquisition time is strongly dependent on the search algorithm. Aiming at reducing the search time, (Ibrahim & Buehrer, 2006) proposes to exploit the statistical knowledge (derived from first phase “coarse estimation”) and clustered nature of arriving paths to improve the performance on the fine acquisition stage reducing the acquisition time in dense multipath environment. Further work on the development of advanced search strategies to reduce the mean acquisition time involved in the synchronization process appears in (Gezici et al., 2003; Renzo et al., 2008; Suwansantisuk & Win, 2007; Suwansantisuk et al., 2005).

Therefore, important aspects to evaluate performance/complexity trade-offs are:

- Timing acquisition window duration. That is, the minimum data window required to perform acquisition.
- Computational complexity associated to the signal processing algorithm for timing estimation.
- Latency: involves signal acquisition window, search time, and processing time. The latter is typically negligible in comparison with the others.

For the UWB receiver implementation described in this chapter, a two stage approach has been found particularly suitable for timing synchronization. Next we outline the basis of the proposed TOA estimator. In order to define the ranging problem and develop the framework for a ranging system, let the received signal be described by (6), which we reproduce and expand here to represent channel multipath explicitly:

$$r^{sr}(t) = \sum_m \sum_l \sqrt{E_p} \left( t - lT_s - c_l^{TH} T_c - b_l T_\Delta - \tau_m \right) + \eta(t) \quad (60)$$

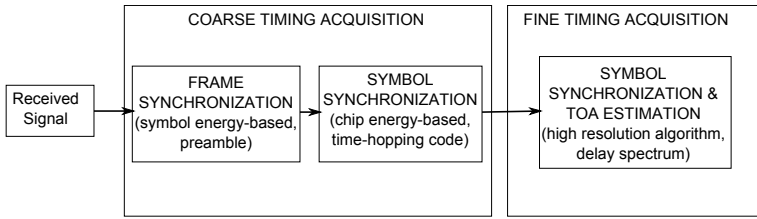


Fig. 10. Block diagram of the proposed two stage TOA estimator.

With no loss of generality the multipath delays are assumed  $\tau_0 < \tau_1 < \dots \tau_{max}$ . Thus, the TOA estimation problem results in the estimation of  $\tau_0$ . The TOA estimator operates without knowledge of the specific pulse waveform  $p(t)$  or the channel. It requires though, the knowledge of the preamble in the data frame structure to provide the initial frame synchronization. Fig. 10 shows the block diagram of the synchronization scheme and TOA estimator. First, the coarse estimation stage performs the frame synchronization which identifies the position of the preamble within the data frame<sup>2</sup>. This requires a minimum acquisition window equivalent to the duration of two frames to ensure the preamble is captured as a whole. Once the preamble position is identified, the algorithm applies a low complexity coarse timing estimator based on a minimum distance criterion that exploits the signal temporal structure associated with the time-hopping code.

Let us define  $\mathbf{c} = [c_0^{TH} \dots c_{N_f-1}^{TH}]$  as the time-hopping sequence vector, with integer elements  $c_i^{TH} \in \{0, 1, \dots, N_c - 1\}$  and  $\Gamma$  as the circulant matrix that contains the relative delays in number of chip intervals between consecutive pulses within a symbol period for all possible sequence shifts. More specifically, defining  $\rho_c(n)$ , as the number of chips between two consecutive transmitted monocycles,

$$\rho_c(n) \triangleq \begin{cases} N_c - c_{n-1}^{TH} + c_n^{TH} & n = 0, 1, \dots, N_f - 1 \\ N_c + c_{N_f-1}^{TH} - c_0^{TH} & n = N_f \end{cases}$$

the circulant matrix  $\Gamma$  is given by,

$$\Gamma = \begin{bmatrix} \rho_c(1) & \rho_c(2) & \dots & \rho_c(N_f - 1) & \rho_c(N_f) \\ \rho_c(2) & \rho_c(3) & \dots & \rho_c(N_f) & \rho_c(1) \\ \vdots & & & \ddots & \vdots \\ \rho_c(N_f) & \rho_c(1) & \dots & \rho_c(N_f - 2) & \rho_c(N_f - 1) \end{bmatrix}$$

where each row is a shifted version of the previous one. Hence, the relative distance between the  $N_f$  estimated positions of the monocycle pulses conforms the following vector,

$$\delta = \begin{bmatrix} \alpha_1 - \alpha_0 & \dots & \alpha_j - \alpha_{j-1} & \dots & \alpha_{N_f-1} - \alpha_{N_f-2} \end{bmatrix}$$

The estimation of the frame number  $v \in \{1, \dots, N_f\}$  which the first detected pulse belongs to is obtained applying a minimum distance criterion. More specifically,

$$v = \arg \min_{j=1, \dots, N_f} \|\delta - \Gamma_j\|^2 \tag{61}$$

<sup>2</sup> Here frame refers to the data packet structure.

where  $\Gamma_j \equiv \Gamma(j, 1 : N_f - 1)$  denotes the  $N_f - 1$  first  $j$ -th row elements of the matrix  $\Gamma$ . The search process reduces to identify the closest shifted time-hopping sequence to the estimated  $\delta$ , which involves a fixed number of vector norm operations that only depends on the time-hopping sequence length with typical values of the order of a few tens. From the estimated  $v$  and the time-hopping sequence known by the receiver, the TOA coarse estimation can be directly identified as,

$$\hat{\tau}_0^c = \left( \alpha_0 + N_c - c_v + (N_f - v)N_c \right) T_c \quad (62)$$

Once the beginning of the symbol is coarsely estimated, fine estimation of the time delay is performed on a symbol by symbol basis. This process is illustrated in Fig. 11. The filter-bank architecture conveniently fits into a frequency domain TOA estimation, since the filters output results in equivalent discrete Fourier transform (DFT) samples of the received signal (Mollfulleda et al., 2006; Vetterli & Herley, 1992) that can be directly processed by the fine TOA estimator. The motivation for using the frequency domain approach is twofold: on the one hand it is known that super-resolution methods, which operate in the frequency domain, have proven to provide high resolution for the estimation of the time of arrival; on the other hand the signal frequency samples are provided for free by the filter-bank receiver.

The fine time delay estimation and demodulation comprises the following steps:

1. Estimation of the correlation matrix from the filter bank output, which are equivalent to the frequency domain samples, corresponding to the  $k$ -th symbol, by averaging over the properly arranged frame signals in the symbol. That is, given the time-hopping sequence knowledge the monocycles are aligned for the estimation of the correlation matrix.
2. Calculation of the periodogram from the correlation matrix. In this case, the periodogram represents the signal energy distribution over time.
3. Search for the first peak in the periodogram that exceeds a predetermined threshold.

These steps provide a fine time of arrival estimation which may be used for ranging and localization, as explained in the following section.

## 4.2 Ranging and Localization

Ranging is a process or method to determine the distance from one location or position to another location or position. Locating is a process used to determine the location of one position relative to other defined positions, using estimated ranges as inputs. In this section we briefly outline techniques that can be applied to UWB systems.

### 4.2.1 Ranging

Ranging applications require the transceiver to be able to perform accurate TOA measurements but also a ranging protocol is needed in order to deliver the ranging measurement. Consider two nodes, where each transceiver is able to send, receive and process UWB packets. Ranging can be accomplished by measuring the round trip time of flight (TOF) between the two transceivers. Transceiver 1 (TXR1) sends an UWB packet to transceiver 2 (TXR2) that processes the packet and sends an answer back. Then TRX1 computes the distance between transceivers as

$$d = \frac{c(T_{\text{round}} - T_{\text{process}})}{2} \quad (63)$$

is the elapsed time between the instant TRX1 sent the first pulse and the instant it received an answer,  $T_{\text{process}}$  is the processing time in TRX2, and  $c$  is the speed of light. This is the basic

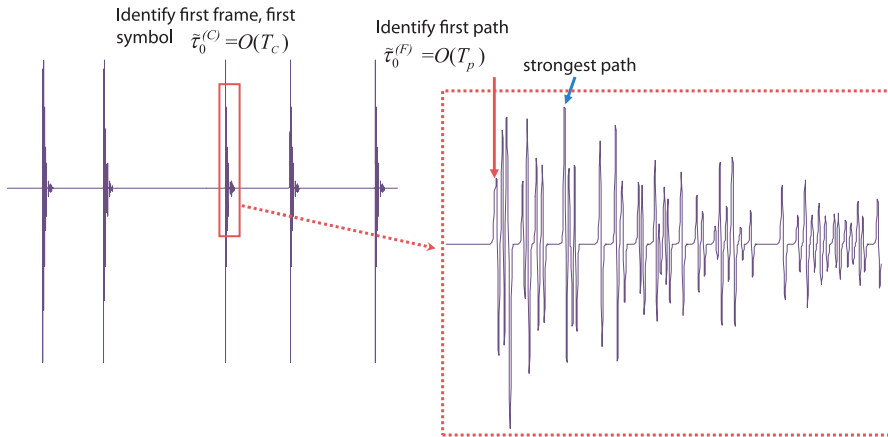


Fig. 11. Illustration of coarse and fine estimates in a typical multipath environment (CM3 IEEE 802.15.4a channel model). The coarse estimate is resolved with chip period accuracy, while the fine estimate is of the order of the pulse duration.

principle behind the 2-way ranging protocol adopted by the standard 802.15.4a. This standard also proposes a 4-way protocol, based on concatenating two phases of the 2-way protocol in order cancel the effect of clock drifts. Note that the distance estimation is strongly dependent on the precision of the clocks used in the two transceivers to measure the corresponding times. Besides the errors associated with multipath propagation, that degrades TOA estimation accuracy and introduces bias if LOS is blocked or strongly attenuated, clock drifts also constitute a technological problem. IR-UWB receivers require synchronization blocks with the accuracy of tens of picoseconds, which are very difficult (and expensive) to implement in analog circuits, see (Zhen et al., 2006). An evaluation of the impact an eventual clock offset on the ranging system, according to (Saito & Sanada, 2008), points towards the reduction of received pulse energy, thus affecting range. The mitigation of this effect can be done via the ranging protocol, see (Ahmed & Heidari-Bateni, 2006; Xing et al., 2007) and (Oh & Kim, 2008). Other examples of works related to UWB-based ranging include (Ko et al., 2008; Nam et al., 2008; Sahinoglu & Gezici, 2006; Zhen et al., 2006; 2007), and (Kim, 2009).

#### 4.2.2 Localization Algorithms

The equations relating measurements to target's position depend on whether the time of transmission  $t_{Tx}$  is known or unknown. When the system consists of several beacons emitting from known locations at known instants (*i.e.* a synchronized beacon network), we speak of spherical positioning. The estimated travel time or receiving power is converted to range. Each range measurement defines a sphere centered at the beacon, on which the receiver must lie. The intersection of several spheres (corresponding to several beacons) defines the position of the receiver.

If  $t_{Tx}$  is not known, we can measure differences in travel times and convert them into differences in ranges to the beacons, in order to cancel the unknown. The locus of all points at the same distance of two given points in a 3D space is a hyperboloid, which is defined by a range difference. Again, the intersection of several hyperboloids indicates the receiver's position. A

review on the localization equations can be found in (Sayed et al., 2005). Possible approaches are:

- **Localization from Time of Arrival or Received Signal Strength (RSS):** A TOA (or a RSS) measurement specifies the range between a reference node and a target node, which defines a circle for the possible positions of the target node. Therefore, in the presence of three measurements, the position of the target node can be determined by the intersection of three circles via trilateration (see Fig. 12).
- **Localization from Time Difference of Arrival (TDOA):** Each time difference of arrival (TDOA) parameter defines a hyperbola for the position of the target node. Hence, in the presence of three reference nodes, two TDOA measurements can be obtained with respect to one of the reference nodes. Then, the intersection of two hyperbolas, corresponding to two TDOA measurements, determines the position of the target node (see Fig. 12).
- **Localization from Angle of Arrival (AOA):** Two AOA measurements between a target node and two reference nodes can be used to determine the position of the target node via triangulation (see Fig. 12).
- **Statistical approaches:** Estimation of the most likely position of the target node based on the reliability of each parameter estimate, which is determined by the characteristics of the noise corrupting measurements.

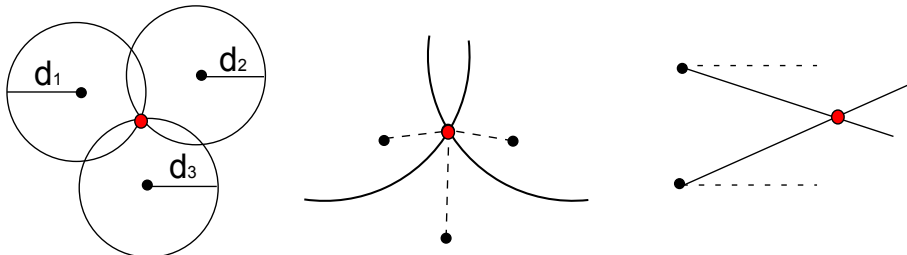


Fig. 12. Position estimation via TOA or RSS (left), TDOA (middle), and AOA (right).

References of recent works in UWB-based localization can be found in (Gezici et al., 2005), (Rahmatollahi et al., 2008), (Sahinoglu et al., 2008), and (Gezici & Poor, 2009).

## 5. Implementation Challenges

The current and future trend in UWB transceiver development is the use of radio frequency (RF) complementary metal-oxide-semiconductor (CMOS) (RF/CMOS) technology since it allows a drastic reduction in size and power consumption (Mahfouz et al., 2009). It also provides a seamless integration of the RF front-end and the digital back-end leading to System-on-chip (SOC) solutions. A good commercial example of that is the low power, 802.15.4a standard compliant UWB transceiver developed by Decawave (Decawave, 2009). However, commercial solutions using multiple chips in separate substrates like the tags in the Sapphire DART system (Zebra Enterprise Solutions, 2009) are also being successfully used. In this section,

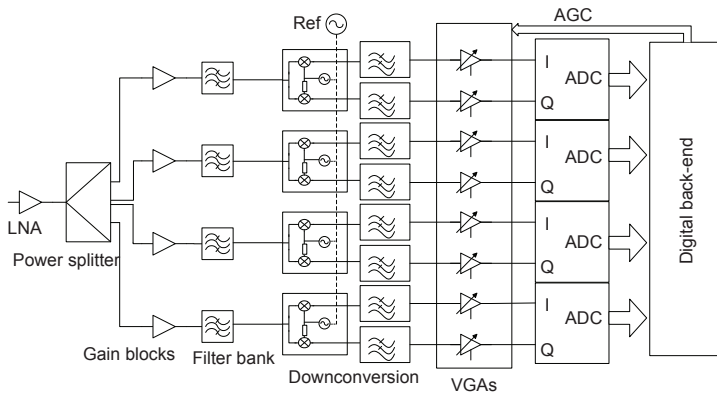


Fig. 13. Block diagram of filter bank receiver implementation.

the implementation of a filter bank receiver using low cost commercial-off-the-shelf (COTS) components, combined by microstrip structures, is addressed. While we focus on COTS technology, most of the basic requirements discussed apply also to CMOS technology.

### 5.1 RF Front-end

The major benefit of the filter bank architecture with respect to all-digital receivers is that it allows the use of low cost, low speed, and low power consumption ADC. It is achieved splitting the received signal in several branches and filtering it by a set of bandpass filters that cover the entire band of interest. The reduced bandwidth of each filter permits the use of low speed ADCs to perform an RF sampling in terms of sampling frequency. However, the input analog bandwidth requirement for the band from 3.1 GHz to 10.6 GHz, the designated Federal Communications Commission (FCC) band, is well over the features of commercial devices that typically reach only values under 2.5 GHz. Thus a direct down conversion stage can be implemented to shift the filtered pulses to baseband enabling a baseband sampling. Fig. 13 shows a the implementation details of a filter bank receiver with four branches. In the figure, the first stage is a LNA, followed by a power splitter. Then, on each branch an additional gain block and the corresponding bandpass filters follow. Each filtered signal is in turn downconverted to baseband and low-pass filtered. Finally, an automatic gain control (AGC) stage adjusts the signal gain for the ADC stage, which provides the digital signal.

The LNA limits the receiver noise figure (NF) improving its sensitivity. Its role is very important in UWB receivers since the transmitted power is very limited and the only ways to increase the link margin is averaging consecutive pulses and reducing noise to the minimum. Besides the basic requirements for the LNA of low NF and high gain, considering that filter bank receivers are intended to exploit most of the bandwidth allowed for UWB transmissions, a flat response of the gain and NF over frequency ranges of several GHz is also desired. This is the most challenging requirement since input and output matching must be reached over a wide bandwidth. To that end there are commercially available monolithic microwave integrated circuits (MMICs) that present NF under 3 dB and gains greater than 15 dB over the entire FCC allowed bandwidth.

Typical operating ranges for low data rate UWB systems reach up to 100 m, which require a receiver dynamic range of 40 dB, since the path loss attenuation increases 20 dB each

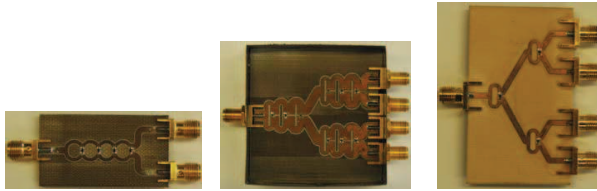


Fig. 14. 4 stages 2-way Wilkinson divider (left), 3-stage, 4-way Wilkinson divider (middle), and single stage, 4-way Wilkinson divider (right).

decade. This dynamic range can be obtained through the AGC stage built with variable gain amplifiers (VGAs). The AGC should be implemented in baseband because a 40 dB VGA in a wide bandwidth is hard to achieve. Moreover, current COTS devices allow controlling baseband VGAs directly from the digital back-end, simplifying the AGC implementation, since the required detection and reference comparison can be done in the digital domain. Finally, the amplification chain is completed by a set of gain blocks that provide the necessary gain for longer ranges. They can be set in the RF part between the power splitter and the filter bank, or after the downconversion. In RF they act also as buffers attenuating the undesired reflections produced at the filter inputs due to their high reverse isolation. However, the overall gain must be well distributed between RF and baseband in order to minimize the possibility of instabilities caused by high gains over wide bandwidths.

The next component after the initial LNA is the power divider, which must be designed to operate in a very wide bandwidth. Resistive dividers have several advantages like naturally wide bandwidth and compact sizes since they are made of lumped resistors, though they do not suit UWB receivers well because of their inherent losses. Wilkinson power splitters have instead no losses, all ports matched, output ports isolated, and can be easily implemented in microstrip technology. Using multistage dividers the required wide bandwidths can be achieved. The main idea behind their design is that the width of each  $\lambda/4$  transmission line section can be determined using optimum multi-section quarter wave transformer theory and the value of the isolation resistors can be determined following singly terminated filter design theory (Lee et al., 2001).  $N$ -way dividers can be easily implemented concatenating canonical 2-way splitters if  $N$  is a power of 2. Fig. 14 shows different Wilkinson power dividers.

The bank of filters can be implemented with microstrip technology using well known parallel-coupled line half-wavelength resonators. The strip thickness and the open-effect of microstrip lines has to be taken into account in their design to adjust center frequency and bandwidth (Hong & Lancaster, 2001). Moreover, modifications in the even mode impedance of the central sections can be performed to calibrate the delay introduced by each filter, which has to be equal to avoid pulse distortion and SNR degradation.

In each receiver branch the downconversion consists of a quadrature mixer, a voltage controlled oscillator (VCO) acting as a local oscillator (LO) and a low pass filter. This is the most demanding part of the receiver in terms of number of components and power consumption, since mixers have to be driven by rather high LO powers. The use of quadrature mixers allows the extraction of the in-phase and quadrature components of the filtered pulses, needed for coherent processing. LOs have to oscillate at the center frequencies of the bandpass filters to perform direct downconversion, and these frequencies have to be an integer multiple of the pulse repetition frequency used in the transmitter. As a consequence the VCOs must be locked to a precise reference. In fact, all the VCOs have to be locked to the same reference in order to



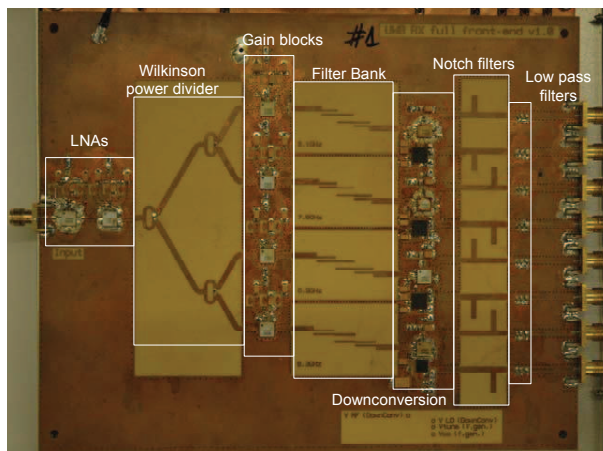


Fig. 15. Filter bank RF front-end.

minimize the jitter and phase noise contribution to the overall SNR. One possible way to lock all the LO to the same reference is to use a PLL or a direct digital synthesizer (DDS) to generate a lower frequency and then use a comb generator to produce harmonics at the desired frequencies. Comb generators can be implemented driving amplifiers in the saturation region. In the downconversion stage, the signal bandwidth has been reduced by a factor equal to the number of branches, and COTS components can be found for the mixers and VCOs, and low pass filters can be implemented using lumped elements. Note that these filters have to be rather smooth, otherwise their time response would be too long.

Fig. 15 shows a picture of a four branches filter bank RF front-end that operates in the European UWB band, from 6 GHz to 8.5 GHz. It does not include the AGC circuits and the circuits needed to lock the four VCOs to the same reference. Note that a set of notch filters implemented by microstrip single stubs are used to eliminate the leakage of the LO frequencies in the baseband outputs.

## 5.2 Digital Back-end

Programmable digital electronics devices are a very common solution for digital signal processing due to their reconfigurability and low production cost. UWB transceivers make no exception in using digital solutions for the processing part, solutions that can consist in the use of DSPs or PLDs. Moreover, control of the RF Front-end can be done digitally so the digital part will not only implement the processing algorithms but will also manage the whole system. DSPs are a good solution when processing power is needed, while PLDs are a suitable solution for interfacing and controlling applications. Implementing an UWB transceiver poses a number of challenges, and by far the most critical one is due to the high bandwidth nature of the signal. The filter bank architecture splits the bandwidth of the received signal into  $M$  branches, each one corresponding to a different frequency sub band of the original signal. It relaxes the constraints imposed by the high bandwidth and allows the signal processing tasks to be performed at lower speed. Following this approach, UWB processing modules can be designed to operate at less than 500 MHz which makes their implementation feasible using low cost PLDs. In contrast with this advantage, the processing module will need to be

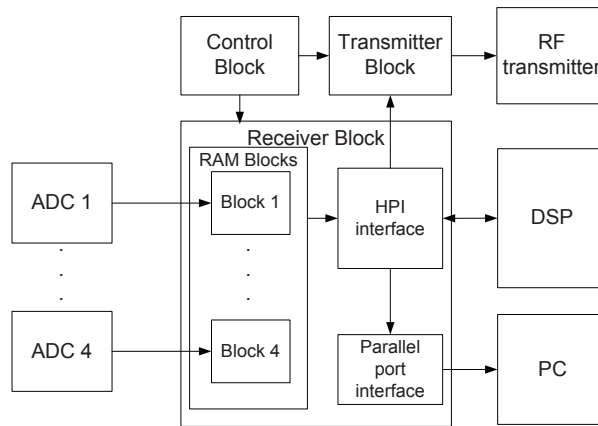


Fig. 16. Hybrid architecture for the digital back end of a filter bank receiver.

able to handle a bigger number of inputs. Generally, the data inputs of the digital back end coming from the ADCs consist of different lines with I and Q components. The number of simultaneous input data bits may be expressed as

$$M \times N \times 2 \times 2 \quad (64)$$

where  $M$  is the number of branches of the filter bank and  $N$  is the number of bits of the I and Q differential components (2 samples for each component). On the other hand, another constraint of a communication system is the processing time that can be limited by the data interchange protocol between the systems. Implementation of the processing module using a DSP is not an optimum solution for the case of filter bank architecture because the most common DSPs are not able to handle a big number of inputs and the frequency performance of the DSP is not fully utilized. In the case of the PLDs, the processing module will need to have a parallel architecture with multiple processing units corresponding to each branch of the system which will lead to a high resource utilization of the device.

A hybrid architecture, consisting of a PLD, used to manage the inputs and to control the RF part, and a DSP used to implement the processing algorithms, is an interesting compromise solution. It takes advantage of the processing speed and easy reprogramming features of the DSPs by implementing the processing algorithm using a serial architecture; and of the flexibility and parallelization of PLDs to handle high data rates. In Fig. 16 an example of a hybrid architecture using an field-programmable gate array (FPGA) and a DSP is illustrated (George et al., 2009).

This solution implements the digital back-end of an UWB transceiver using low cost COTS components, and can be used as a testbed for testing the performance of different processing algorithms for the case of filter bank architecture. The reprogrammable feature of the DSP section allows easy testing and prototyping of new signal processing algorithms, while the PLD allows the system to handle the very high data rates generated by the ADCs following the RF filter bank.

## 6. Conclusion

In this chapter we described an UWB receiver based on a frequency domain filter bank. We first defined the signal model and propagation environment for UWB, from which it was seen that an efficient UWB receiver needs to deal with the large time dispersion of the channel. After reviewing the alternatives, namely the SR Receiver, RAKE Receiver, and non-coherent receivers, and after providing the theoretical basis of time-frequency representations of signals, we presented the filter bank receiver. This receiver, consisting of several bandpass filters followed by Nyquist sampling, was shown to outperform other types of receivers in typical dispersive environments. The next section of this chapter was devoted to the description of algorithms for UWB synchronization, time of arrival estimation, and localization. For UWB synchronization, both data-aided and non-data-aided schemes were reviewed. Turning then our attention to time of arrival estimation, a frequency domain algorithm, suitable for the filter bank receiver, was presented. The algorithm consists of an initial coarse timing acquisition phase followed by a fine timing estimation. Time of arrival estimation is a fundamental parameter for different localization algorithms, as it is also shown. Finally, we addressed a hardware implementation of filter bank receivers for UWB. The main challenges of this architecture are the design of wideband components in the RF front end, and the high aggregate sampling rate at the digital back end. The hardware solutions presented effectively dealt with both problems.

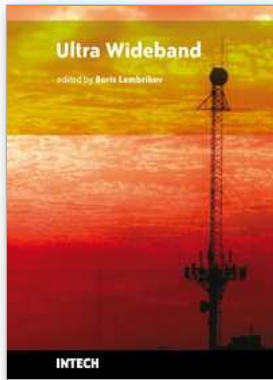
## 7. References

- Ahmed, K. I. & Heidari-Bateni, G. (2006). Improving two-way ranging precision with phase-offset measurements, *Proceedings of the IEEE Global Telecommunications Conference, GLOBECOM'06*, San Francisco, California.
- Blazquez, R., Lee, F. S., Wentzloff, D. D., Newaskar, P., Powell, J. D. & Chandrakasan, A. P. (2003). Digital architecture for ultra-wideband radio receiver, *IEEE Vehicular Technology Conference*, pp. 1303–1307.
- Cheong, P., Rabbachin, A., Montillet, J., Yu, K. & Oppermann, I. (2005). Synchronization, TOA and position estimation for low-complexity LDR-UWB devices, *IEEE International Conference on Ultra-Wideband*, Zurich, Switzerland, pp. 480–484.
- Chung, W. C. & Ha, D. S. (2003). An accurate ultra wideband (UWB) ranging for precision asset location, *Proceedings of the IEEE Conference on Ultra Wideband Systems and Technologies*, Reston, Virginia, pp. 389–393.
- Dardari, D., Chong, C.-C. & Win, M. Z. (2006). Improved lower bounds on Time-of-Arrival estimation error in realistic UWB channels, *IEEE International Conference on Ultra-Wideband*, Waltham, MA, USA, pp. 531–537.
- Decawave (2009). Sensor advance product information, [www.decawave.com/downloads.html](http://www.decawave.com/downloads.html).
- Gabor, D. (1946). Theory of communication, *Journal of the Institute of Electrical Engineers* **93**: 429–457.
- Gardner, F. (1986). A BPSK/QPSK timing-error detector for sampled receivers, *IEEE Transactions on Communications* **34**(5): 423–429.
- Generic Harmonized European Standard for UWB Communications (ETSI EN 302 065)* (2008). *Technical report*, European Telecommunications Standards Institute (ETSI).

- George, G., Artiga, X., Moragrega, A., Ibars, C. & di Renzo, M. (2009). Flexible FPGA-DSP solution for an IR-UWB testbed, *Ultra-Wideband, 2009. ICUWB 2009. IEEE International Conference on*, pp. 413–417.
- Gezici, S., Fishler, E., Kobayashi, H., Poor, H. V. & Molisch, A. F. (2003). A rapid acquisition technique for impulse radio, *Proc. IEEE Pacific Rim Conf. on Communication, Computers and Signal Processing*, Vol. 2, Victoria, BC, Canada, pp. 627–630.
- Gezici, S. & Poor, H. V. (2009). Position estimation via Ultra-Wide-Band signals, *Proceedings of the IEEE* **97**(2): 386–403.
- Gezici, S., Tian, Z., Giannakis, G. B., Kobayashi, H., Molisch, A. F., Poor, H. V. & Sahinoglu, Z. (2005). Localization via ultra-wideband radios, *IEEE Signal Processing Magazine* **22**(4): 70–84.
- Guvenc, I. & Sahinoglu, Z. (2005a). Low complexity TOA estimation for Impulse Radio UWB systems, *Technical report*, Mitsubishi Electric Research Laboratories, Dec.
- Guvenc, I. & Sahinoglu, Z. (2005b). Threshold selection for UWB TOA estimation based on kurtosis analysis, *IEEE Commun. Lett.* **9**(12): 1025–1027.
- Högbom, J. (1974). Aperture synthesis with a non-regular distribution of interferometer baselines, *Astronomy and Astrophysics Supplement Series* **15**: 417–426.
- Hong, J.-S. & Lancaster, J. (2001). *Microstrip Filters for RF/Microwave Applications*, John Wiley & Sons Inc.
- Ibrahim, J. & Buehrer, R. (2006). Two-stage acquisition for UWB in dense multipath, *IEEE J. Selected Areas Commun.* **24**(4): 801–807.
- Kay, S. K. (1998). *Fundamentals of Statistical Signal Processing Volume II: Detection Theory*, Prentice Hall PTR.
- Kim, H. (2009). A ranging scheme for asynchronous location positioning systems, *Proceedings of the 6th Workshop on Positioning, Navigation and Communication, WPNC'09*, Hannover, Germany, pp. 89–94.
- Kim, J., Roh, D.-S. & Shin, Y. (2009). Pulse repetition based selective detection scheme for coherent IR-UWB systems, *Proceedings of the 6th IEEE Consumer Communications and Networking Conference, CCNC'09*, Las Vegas, Nevada.
- Ko, S., Takayama, J. & Ohyama, S. (2008). A novel RF symmetric double sided two way range finder based on Vernier effect, *Proceedings of the International Conference on Control, Automation and Systems, ICCAS'08*, Seoul, Korea, pp. 1802–1807.
- Lee, J.-Y. & Scholtz, R. A. (2002). Ranging in a dense multipath environment using an UWB radio link, *IEEE Journal on Selected Areas in Communications* **20**(9): 1677–1683.
- Lee, J.-Y. & Yoo, S. (2006). Large error performance of UWB ranging in multipath and multiuser environments, *IEEE Transactions on Microwave Theory and Techniques* **54**(4): 1887–1895.
- Lee, S., Kim, C., Choi, K., Park, J. & Ahn, D. (2001). A general design formula of multi-section power divider based on singly terminated filter design theory, *Microwave Symposium Digest, 2001 IEEE MTT-S International*, pp. 1297–1300.
- López-Salcedo, J. & Vázquez, G. (2005). NDA maximum-likelihood timing acquisition of UWB signals, *IEEE Workshop on Signal Processing Advances in Wireless Communications (SPAWC'05)*, New York, USA.
- Lottici, A. D. V. & Mengali, U. (2003). Channel estimation for ultra-wideband communications, *IEEE J. Selected Areas Commun.* **20**(9): 1638–1645.

- Low, Z. N., Cheong, J. H., Law, C. L., Ng, W. T. & Lee, Y. J. (2005). Pulse detection algorithm for line-of-sight (LOS) UWB ranging applications, *IEEE Antennas and Wireless Propagation Letters* 4: 63–67.
- Mahfouz, M., Fathy, A., Kuhn, M. & Wang, Y. (2009). Recent trends and advances in uwb positioning, *Wireless Sensing, Local Positioning, and RFID, 2009. IMWS 2009. IEEE MTT-S International Microwave Workshop on*, pp. 1–4.
- Molisch, A., Balakrishnan, K., Chang, C.-C., Emami, S., Fort, A., Karedal, J., Kunisch, J., Schantz, H., Schuster, U. & Simiak, K. (2004). IEEE 802.15.4a channel model - final report, *IEEE 802.15 Task Group 4*.
- Mollfulleda, A., Ibars, C., Leyva, J. A. & Berenguer, L. (2006). Practical demonstration of filter-bank receiver for ultra-wideband radios, *European Conference on Wireless Technology, Manchester, UK*.
- Mollfulleda, A., Ibars, C. & Mateu, J. (2010). Ultra-wideband receiver based on microwave filterbank, *IEEE International Conference on UltraWideband (ICUWB)*.
- Nam, Y., Lee, H., Kim, J. & Park, K. (2008). Two-way ranging algorithms using estimated frequency offsets in WPAN and WBAN, *Proceedings of the 3rd International Conference on Convergence and Hybrid Information Technology, ICCIT '08, Busan, Korea*, pp. 842–847.
- Navarro, M. & Nájjar, M. (2007). TOA and DOA Estimation for Positioning and Tracking in IR-UWB, *Proceedings of the International Conference on Ultra Wideband, Singapore*.
- Navarro, M. & Nájjar, M. (2009). Frequency domain joint TOA and DOA estimation in IR-UWB, *IEEE Transactions on Wireless Communications*. Under review.
- Oh, M.-K. & Kim, J.-Y. (2008). Ranging implementation for IEEE 802.15.4a IR-UWB systems, *Proceedings of the IEEE Vehicular Technology Conference, VTC'08, Singapore*.
- Oh, M.-K., Park, J.-H. & Kim, J.-Y. (2009). IR-UWB packet-based precise ranging system for u-Home networks, *IEEE Transactions on Consumer Electronics* 55(1): 119–125.
- Rabbachin, A., Montillet, J., Cheong, P., de Abreu, G. & Oppermann, I. (2005). Non-coherent energy collection approach for ToA estimation in UWB systems, *IST Mobile & Wireless Communications Summit, Dresden, Germany*.
- Rahmatollahi, G., Pérez Guirao, M. D., Galler, S. & Kaiser, T. (2008). Position estimation in IR-UWB autonomous wireless sensor networks, *Proceedings of the 5th Workshop on Positioning, Navigation and Communication, WPNC'08, Hannover, Germany*.
- Renzo, M. D., Annoni, L. A., Graziosi, F. & Santucci, F. (2008). A novel class of algorithms for timing acquisition for differential transmitted reference (DTR) ultra wide band (UWB) receivers – architecture, performance analysis and system design, *EEE Trans. Wireless Commun.* 7(6): 2368–2387.
- Revision of part 15 of the Commission's Rules Regarding Ultra-Wideband Transmission Systems* (2002). *Technical report*, Federal Communications Commission (FCC).
- Sahinoglu, Z. & Gezici, S. (2006). Ranging in the IEEE 802.15.4a standard, *Proceedings of the IEEE Annual Wireless and Microwave Technology Conference, WAMICON'06, Clearwater, Florida*.
- Sahinoglu, Z., Gezici, S. & Güvenc, I. (2008). *Ultra-wideband Positioning Systems: Theoretical Limits, Ranging Algorithms, and Protocols*, Cambridge University Press.
- Saito, Y. & Sanada, Y. (2008). Effect of clock offset on an IR-UWB ranging system with comparators, *Proceedings of the IEEE International Conference on Ultra-Wideband, ICUWB'08, Hannover, Germany*.

- Saleh, A. & Valenzuela, R. (1987). A statistical model for indoor multipath propagation, *IEEE Journal on Selected Areas on Communications* 5(2): 128–137.
- Sayed, A. H., Tarighat, A. & Khajehnouri, N. (2005). Network-based wireless location, *IEEE Signal Processing Magazine* 22(4): 24–40.
- Shen, Y. & Win, M. (2008). Effect of path-overlap on localization accuracy in dense multipath environments, *IEEE International Conference on Communication (ICC'08)*, Beijing, China.
- Suwansantisuk, W. & Win, M. Z. (2007). Multipath aided rapid acquisition: Optimal search strategies, *IEEE Trans. Inform. Theory* 53(1): 174–193.
- Suwansantisuk, W., Win, M. Z. & Shepp, L. A. (2005). On the performance of wide-bandwidth signal acquisition in dense multipath channels, *IEEE Trans. Veh. Technol.* 54(5): 1584–1594.
- Vetterli, M. & Herley, C. (1992). Wavelets and filter banks: Theory and design, *IEEE Trans. Signal Processing* 40(9): 2207–2232.
- Wu, S., Ma, Y., Zhang, Q. & Zhang, N. (2007). NLOS error mitigation for UWB ranging in dense multipath environments, *Proceedings of the Wireless Communications and Networking Conference, WCNC'07*, Hong Kong.
- Wu, S., Zhang, Q., Fan, R. & Zhang, N. (2008). Match-filtering based TOA estimation for IR-UWB ranging systems, *Proceedings of the International Wireless Communications and Mobile Computing Conference, IWCMC'08*, Crete, Greece.
- Xing, L. J., Zhiwei, L. & Shin, F. C. P. (2007). Symmetric double side two way ranging with unequal reply time, *Proceedings of the IEEE 66th Vehicular Technology Conference, VTC'07 Fall*, Baltimore, MD, pp. 1980–1983.
- Yang, L. (2006). Timing PPM-UWB signals in ad hoc multiaccess, *IEEE Journal on Selected Areas in Communications* 24(4): 794–800.
- Yang, L. & Giannakis, G. B. (2005). Timing ultra-wideband signals with dirty templates, *IEEE Transactions on Communications* 53(11): 1952–1963.
- Zebra Enterprise Solutions (2009). Sapphire dart product data sheet, [zes.zebra.com/pdf/product-datasheets/ds\\_app\\_dart.pdf](http://zes.zebra.com/pdf/product-datasheets/ds_app_dart.pdf).
- Zhang, J., Kennedy, R. & Abhayapala, T. (2005). Crámer-rao lower bounds for the synchronization of UWB signals, *EURASIP Journal on Applied Signal Processing* 3: 426–438.
- Zhen, B., Li, H.-B. & Kohno, R. (2006). UWB ranging and crystal offset, *Proceedings of the IEEE 63rd Vehicular Technology Conference, VTC'06-Spring*, Melbourne, Australia, pp. 1445–1449.
- Zhen, B., Li, H.-B. & Kohno, R. (2007). Clock management in ultra-wideband ranging, *Proceedings of the 16th IST Mobile and Wireless Communications Summit*, Budapest, Hungary.
- Zhu, X., Yong-qiang, H., Fu-wei, J. & Ke-chu, Y. (2008). Performance analysis of RC-SRake receiver in Ultra-Wideband communication under IEEE 802.15.4a channel, *Proceedings of the 11th IEEE International Conference on Communication Technology, ICCT'08*, Hangzhou, China, pp. 268–271.



## **Ultra Wideband**

Edited by Boris Lembrikov

ISBN 978-953-307-139-8

Hard cover, 458 pages

**Publisher** Sciyo

**Published online** 17, August, 2010

**Published in print edition** August, 2010

Ultra wideband technology is one of the most promising directions in the rapidly developing modern communications. Ultra wideband communication system applications include radars, wireless personal area networks, sensor networks, imaging systems and high precision positioning systems. Ultra wideband transmission is characterized by high data rate, availability of low-cost transceivers, low transmit power and low interference. The proposed book consisting of 19 chapters presents both the state-of-the-art and the latest achievements in ultra wideband communication system performance, design and components. The book is addressed to engineers and researchers who are interested in the wide range of topics related to ultra wideband communications.

### **How to reference**

In order to correctly reference this scholarly work, feel free to copy and paste the following:

Christian Ibars, Xavier Artiga, Monica Navarro, Montse Najar, Antonio Mollfulleda, Ana Moragrega, Ciprian Gavrinca and Carles Fernandez (2010). Filter Bank-based Transceiver Design for Ultrawideband, Ultra Wideband, Boris Lembrikov (Ed.), ISBN: 978-953-307-139-8, InTech, Available from:  
<http://www.intechopen.com/books/ultra-wideband/filter-bank-based-transceiver-design-for-ultrawideband>

**INTECH**  
open science | open minds

### **InTech Europe**

University Campus STeP Ri  
Slavka Krautzeka 83/A  
51000 Rijeka, Croatia  
Phone: +385 (51) 770 447  
Fax: +385 (51) 686 166  
[www.intechopen.com](http://www.intechopen.com)

### **InTech China**

Unit 405, Office Block, Hotel Equatorial Shanghai  
No.65, Yan An Road (West), Shanghai, 200040, China  
中国上海市延安西路65号上海国际贵都大饭店办公楼405单元  
Phone: +86-21-62489820  
Fax: +86-21-62489821